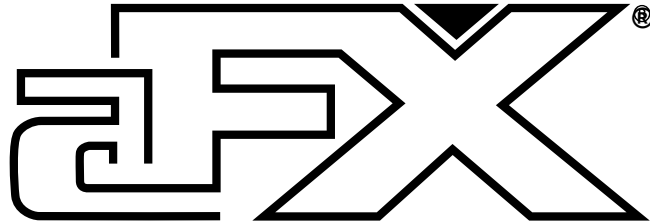




1612 Hutton Drive, Suite 140 • Carrollton, Texas 75006
 Phone: (800) 558-6960 • Fax: (972) 389-4752



- **aFX® DOCKLEVELER STANDARDIZED PIT DETAILS – STRAIGHT PIT**
- **STAR® CONDUIT RUN DETAILS** *(Back Cover)*

CUSTOMER _____

ADDRESS _____

JOB _____

DOCKLEVELER: aFX® Model Number _____ Quantity _____

DOCKLEVELER RATING PER ANSI MH14.1-1987:

30K 35K 40K 45K 50K

LIPL LENGTH: 16" 18" 20"

aFX™ DOCKLEVELER ELECTRICAL REQUIREMENTS:

Voltage: 115V Phase 1Ø Frequency 60 Hz Solar

STAR RESTRAINTS: STAR 1 STAR 1 with TRUK ALERT STAR 4
 STAR 2

NOTE: All STAR restraints, except STAR 1, require 115V, 1Ø, 60 Hz.

CERTIFIED FOR CONSTRUCTION

BY _____ DATE _____

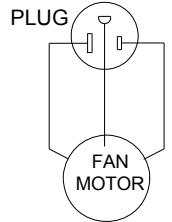
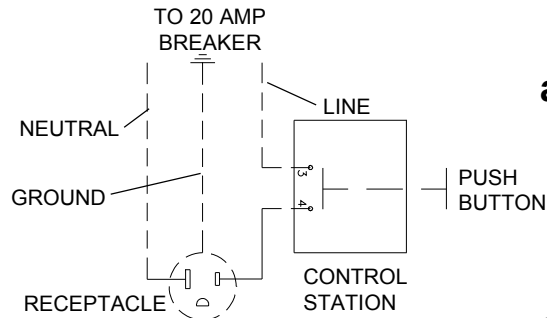
COMPANY _____

CITY & STATE _____

▲ WARNING

Death or serious injury could result from failure to follow Kelley specifications for pit dimensions and/or configurations, or conduit location; improper installation of dock leveler, anchoring devices or optional/accessory equipment; installation into improperly formulated, prepared or placed concrete or concrete which is otherwise inadequate or unsound

aFX® DOCKLEVELER STANDARDIZED PIT DETAILS STRAIGHT PIT



115V, Single Phase, 60 Hz

3/4" CONDUIT, WITH 115V RECEPTACLE (NEMA 5-15R) WIRED AS SHOWN FOR PLUG IN CONNECTION. LOCATION TO BE FLUSH OR RECESSED MOUNTED ON CENTER (SIZE OF CONDUIT AND WIRE GAUGE MAY VARY WITH LOCAL CODES.)

FOR SOLAR APPLICATIONS SEE APPROVAL DRAWINGS FOR ALL CONDUIT INFORMATION.

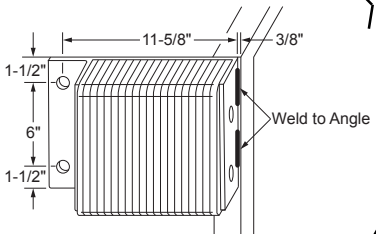
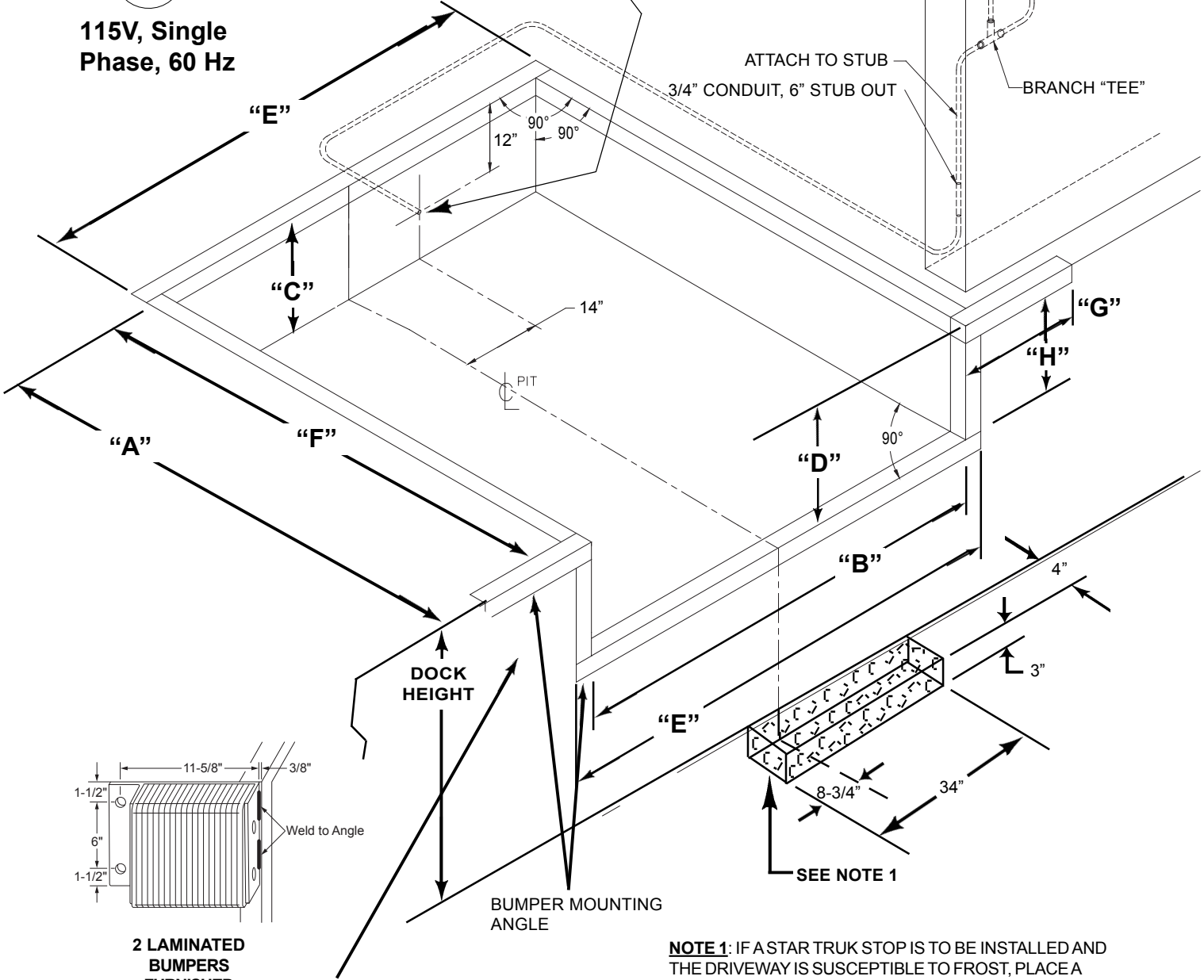
TO 20 AMP BREAKER, 115VAC, 1Ø POWER SUPPLY

DOCKLEVELER CONTROL BOX

ATTACH TO STUB

3/4" CONDUIT, 6" STUB OUT

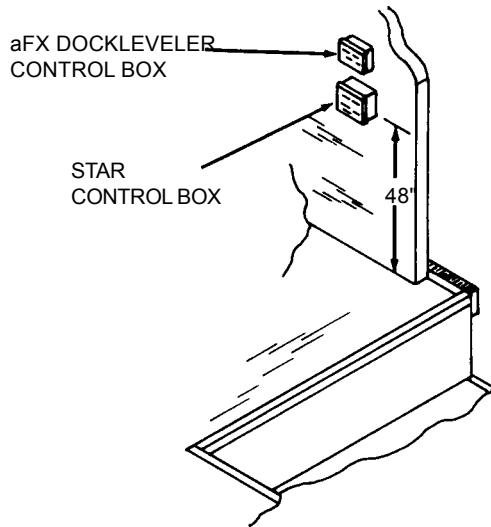
BRANCH "TEE"



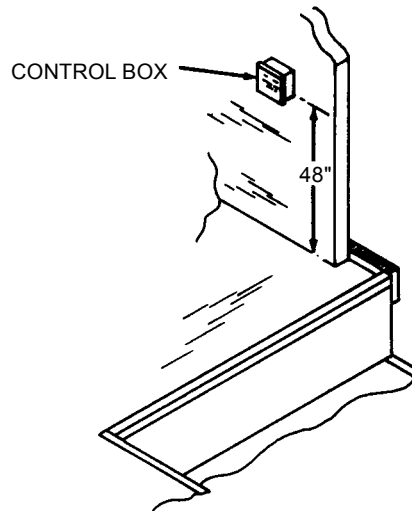
2 LAMINATED BUMPERS FURNISHED BY KELLEY

NOTE 1: IF A STAR TRUK STOP IS TO BE INSTALLED AND THE DRIVEWAY IS SUSCEPTIBLE TO FROST, PLACE A STYRAFOAM BLOCK IN THE CONCRETE IN THIS AREA. THIS WILL PREVENT DAMAGE TO THE STAR TRUK STOP WHEN DRIVEWAY RISES.

aFX® DOCKLEVELER STANDARDIZED PIT DETAILS – STRAIGHT PIT

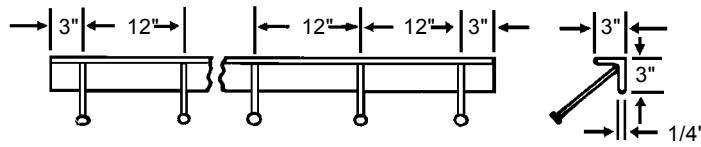


LOCATION FOR aFX® DOCKLEVELER AND STAR® CONTROLS



LOCATION FOR SINGLE CONTROL BOX FOR DOCKLEVELER OR STAR®

ANCHOR LAYOUT FOR CURB ANGLE



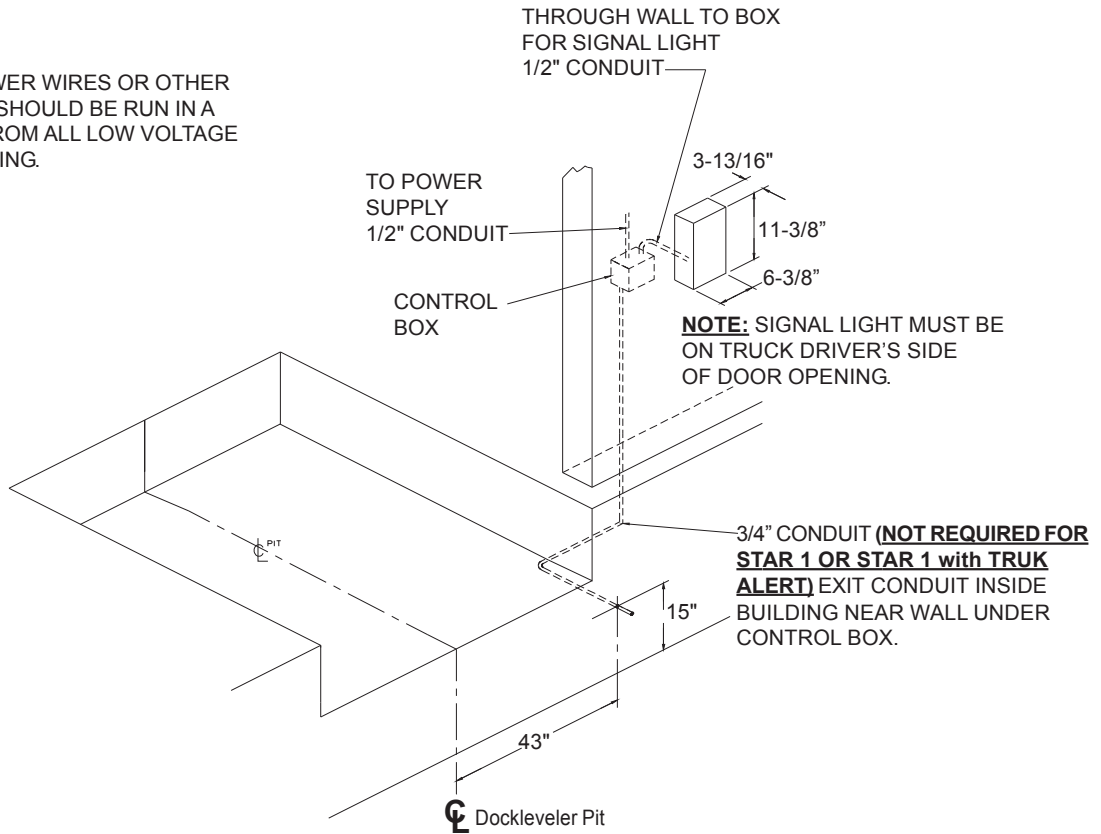
CONCRETE ANCHORS, 1/2" DIA., 6" LONG, LOCATED AS SHOWN

NOMINAL DOCKLEVELER SIZE		6' x 6'	6' x 8'	6' x 10'	6.5' x 6'	6.5' x 8'	6.5' x 10'	7' x 6'	7' x 8'	7' x 10'
PIT LENGTH	DIM. "A"	63"	87"	111"	63"	87"	111"	63"	87"	111"
PIT WIDTH	DIM. "B"	74"	74"	74"	80"	80"	80"	85"	85"	85"
PIT DEPTH Rear	DIM. "C"	19-1/2"	19-1/2"	23-1/2"	19-1/2"	19-1/2"	23-1/2"	19-1/2"	19-1/2"	23-1/2"
PIT DEPTH Front	DIM. "D"	20"	20"	24"	20"	20"	24"	20"	20"	24"
CURB ANGLE Front/Rear	DIM. "E"	80"	80"	80"	86"	86"	86"	91"	91"	91"
CURB ANGLE Side	DIM. "F"	60"	84"	108"	60"	84"	108"	60"	84"	108"
CURB ANGLE Bumper	DIM. "G"	21"	21"	21"	21"	21"	21"	21"	21"	21"
CURB ANGLE Bumper	DIM. "H"	17"	17"	21"	17"	17"	21"	17"	17"	21"

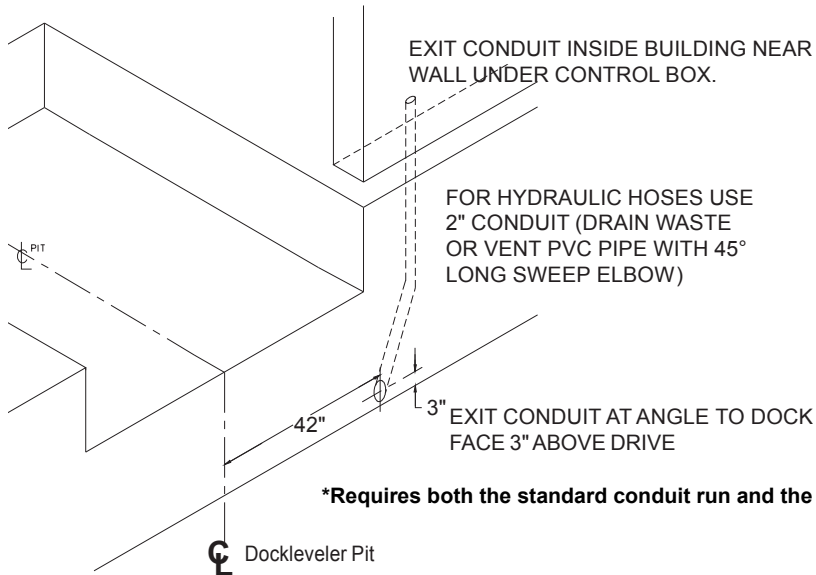
NOTE: See Kelley Drawing No. 10-740 for Cantilever Pit Detail.
See Kelley Product Manual for Wiring Diagrams.

STAR® CONDUIT RUN LOCATION DETAILS

NOTE: ALL MOTOR POWER WIRES OR OTHER HIGH VOLTAGE WIRES SHOULD BE RUN IN A SEPARATE CONDUIT FROM ALL LOW VOLTAGE CONTROL CIRCUIT WIRING.

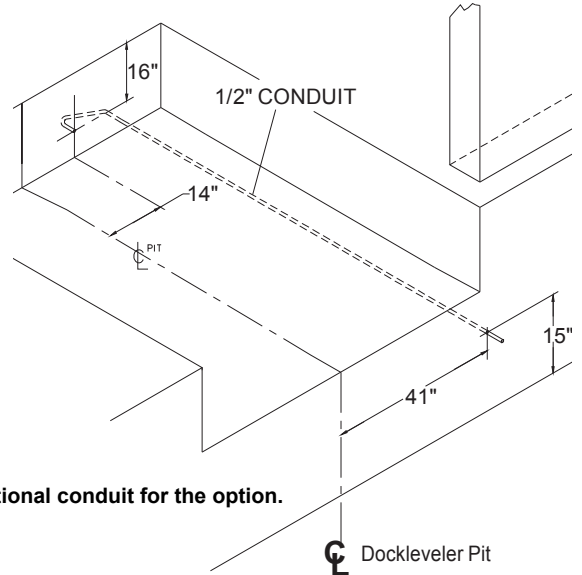


*ADDITIONAL CONDUIT REQUIREMENTS FOR OPTIONAL FLOOD PACKAGE — STAR 4



*Requires both the standard conduit run and the additional conduit for the option.

*ADDITIONAL CONDUIT REQUIREMENTS FOR OPTIONAL LIP LIMIT SWITCH — STAR 4



1612 Hutton Drive, Suite 140 • Carrollton, Texas 75006
Phone: (800) 558-6960 • Fax: (972) 389-4752